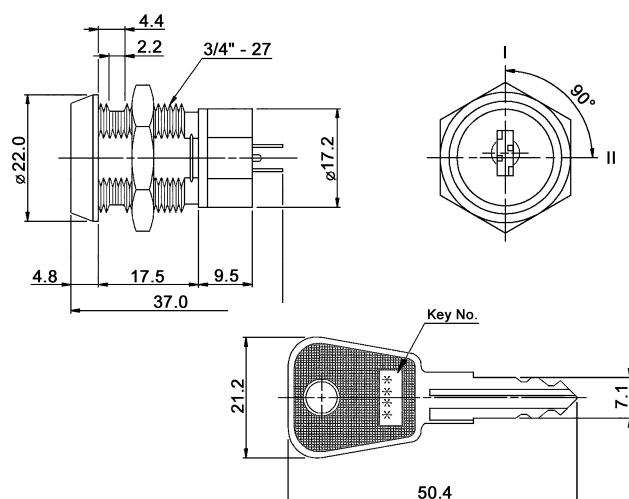


Key Switches

Specifications:

Contact rating:	250 V AC, 2 A; 125 V AC, 4 A
Contact resistance:	< 50 mΩ
Insulation resistance:	> 500 MΩ
Dielectric strength:	1500 V, 50 Hz for the duration of 1 minute
Operating temperature:	-20 °C to +70 °C
Mechanical life:	minimum 10 000 steps
Material:	Case: zinc alloy, chromium-plated Contacts and Terminals: silver-plated Key: brass, nickel-plated
Angle between 2 positions:	90°
Mounting:	single-hole mounting, 3/4"-27 UNS

Models:	Switching functions	Key removable in pos
MRK 286-A1	off – on	I
MRK 286-A2	off – on	I, II
MRK 286-B1	on – on	I
MRK 286-B2	on – on	I, II



Switches are always supplied with 2 keys.